

Panel feed-through terminal block - HDFK 50/Z - 0705017

Please be informed that the data shown in this PDF Document is generated from our Online Catalog. Please find the complete data in the user's documentation. Our General Terms of Use for Downloads are valid (<http://phoenixcontact.com/download>)




Panel feed-through terminal block, connection method: Screw connection, number of positions: 1, load current: 150 A, cross section: 16 mm² - 50 mm², AWG 6 - 1/0, connection direction of the conductor to plug-in direction: 0 °, width: 18.8 mm, color: gray

Your advantages

- ✓ Easy grouping with engagement pin versions
- ✓ Both terminal halves can be easily assembled by simply snapping them together
- ✓ Touch-proof insulating housing in a new design
- ✓ Automatic compensation of the panel thickness via the snap principle integrated in the insulation housing
- ✓ Universal screw connection with screw locking
- ✓ Spacer plates increase clearances and creepage distances
- ✓ Well-known connection principle allows worldwide use
- ✓ Low temperature rise, thanks to maximum contact force
- ✓ Tool-free snap-in principle enables easy mounting on the device panel
- ✓ Automatic panel thickness compensation enables universal use



Key Commercial Data

| | |
|--------------------------------------|---|
| Packing unit | 1 pc |
| Minimum order quantity | 10 pc |
| GTIN |  4 017918 372743 |
| GTIN | 4017918372743 |
| Weight per Piece (excluding packing) | 125.090 g |
| Custom tariff number | 85369010 |
| Country of origin | Greece |

Panel feed-through terminal block - HDFK 50/Z - 0705017

Technical data

Item properties

| | |
|---------------------------|--------------------------------------|
| Brief article description | Panel feed-through terminal block |
| Range of articles | HDFK 50 |
| Pitch | 18.8 mm |
| Number of positions | 1 |
| Connection method | Screw connection with tension sleeve |
| Number of connections | 2 |
| Number of potentials | 1 |

Connection capacity, external

| | |
|--|---|
| Connection method | Screw connection with tension sleeve |
| Connection direction of the conductor to plug-in direction | 0 ° |
| Conductor cross section solid | 16 mm ² ... 50 mm ² |
| Conductor cross section flexible | 16 mm ² ... 50 mm ² |
| Conductor cross section flexible, with ferrule without plastic sleeve | 10 mm ² ... 50 mm ² |
| Conductor cross section, flexible, with ferrule, with plastic sleeve | 10 mm ² ... 50 mm ² |
| 2 conductors with same cross section, solid | 6 mm ² ... 16 mm ² |
| 2 conductors with same cross section, flexible | 10 mm ² ... 16 mm ² |
| 2 conductors with same cross section, stranded, ferrules without plastic sleeve | 6 mm ² ... 16 mm ² |
| 2 conductors with same cross section, stranded, with TWIN ferrules with plastic sleeve | 6 mm ² ... 10 mm ² |
| Internal cylindrical gage | B10 |
| Stripping length | 24 mm |
| Torque | 6 Nm ... 8 Nm |

Connection capacity, internal

| | |
|--|---|
| Connection method | Screw connection with tension sleeve |
| Connection direction of the conductor to plug-in direction | 0 ° |
| Conductor cross section solid | 16 mm ² ... 50 mm ² |
| Conductor cross section flexible | 16 mm ² ... 50 mm ² |
| Conductor cross section flexible, with ferrule without plastic sleeve | 10 mm ² ... 50 mm ² |
| Conductor cross section, flexible, with ferrule, with plastic sleeve | 10 mm ² ... 50 mm ² |
| 2 conductors with same cross section, solid | 6 mm ² ... 16 mm ² |
| 2 conductors with same cross section, flexible | 10 mm ² ... 16 mm ² |
| 2 conductors with same cross section, stranded, ferrules without plastic sleeve | 6 mm ² ... 16 mm ² |
| 2 conductors with same cross section, stranded, with TWIN ferrules with plastic sleeve | 6 mm ² ... 10 mm ² |
| Internal cylindrical gage | B10 |

Panel feed-through terminal block - HDFK 50/Z - 0705017

Technical data

Connection capacity, internal

| | |
|------------------|---------------|
| Stripping length | 24 mm |
| Torque | 6 Nm ... 8 Nm |

Material data - contact

| | |
|-------------------------|---|
| Note | WEEE/RoHS-compliant, free of whiskers according to IEC 60068-2-82/ JEDEC JESD 201 |
| Contact material | Cu alloy |
| Surface characteristics | tin-plated |

Material data - housing

| | |
|---|--------|
| Insulating material | PA |
| Insulating material group | I |
| CTI according to IEC 60112 | 600 |
| Flammability rating according to UL 94 | V0 |
| Glow wire flammability index GWFI according to EN 60695-2-12 | 850 |
| Glow wire ignition temperature GWIT according to EN 60695-2-13 | 775 |
| Temperature for the ball pressure test according to EN 60695-10-2 | 125 °C |

Dimensions for the product

| | |
|-------------|---------|
| Width [w] | 18.8 mm |
| Pitch | 18.8 mm |

Packaging information

| | |
|----------------------------|------|
| Pieces per package | 10 |
| Denomination packing units | Pcs. |

General product information

| | |
|--------------|---|
| Type of note | Notes on safety |
| Note | The cable entry funnel is not touch-proof. Never connect or disconnect the terminal when it is energized. Take appropriate steps to ensure touch proofness. |

Electrical tests

| | |
|-------------------------|--------------------|
| Rated current | 150 A |
| Conductor cross section | 50 mm ² |

Air clearances and creepage distances

| | |
|----------------------------------|-------|
| Rated insulation voltage (III/3) | 690 V |
| Rated surge voltage (III/3) | 8 kV |

Standards and Regulations

| | |
|----------------------------------|---------------|
| Connection in acc. with standard | CSA |
| | IEC 60947-7-1 |

Panel feed-through terminal block - HDFK 50/Z - 0705017

Technical data

Standards and Regulations

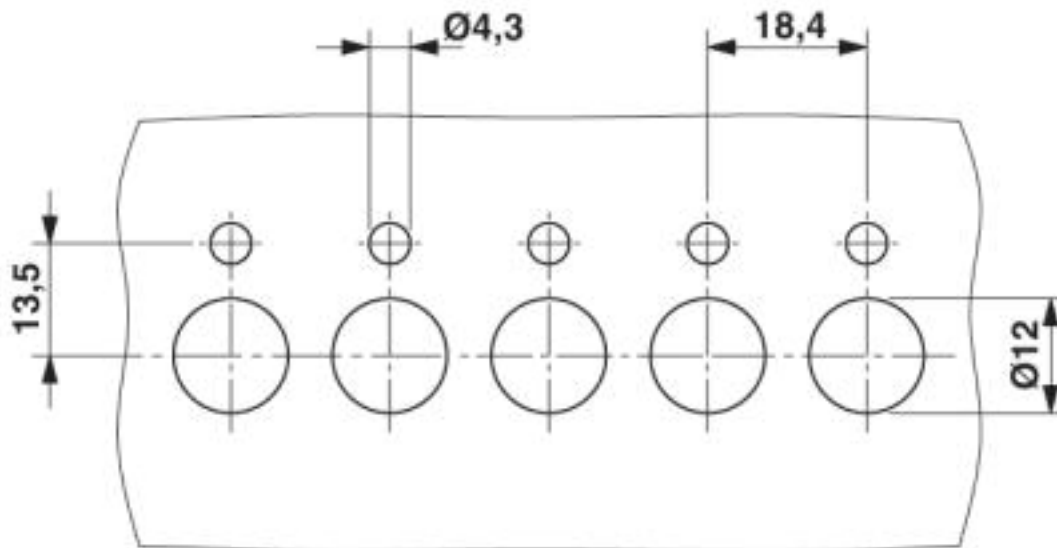
| | |
|--|--|
| Flammability rating according to UL 94 | V0 |
| CE safety note | <ul style="list-style-type: none"> • WARNING: Only electrically qualified personnel may install and operate the product. They must observe the following safety notes. The qualified personnel must be familiar with the basics of electrical engineering. They must be able to recognize and prevent danger. The relevant symbol on the packaging indicates that only personnel familiar with electrical engineering are allowed to install and operate the product. |
| | <ul style="list-style-type: none"> • The installation notes/Design In documents online on the download page at phoenixcontact.com/products must be observed for this product. |
| | <ul style="list-style-type: none"> • The cable entry funnel is not safe to touch. Never connect or disconnect the terminal when it is energized. Take appropriate steps to ensure touch protection. |

Environmental Product Compliance

| | |
|------------|---|
| China RoHS | Environmentally friendly use period: unlimited = EFUP-e |
| | No hazardous substances above threshold values |

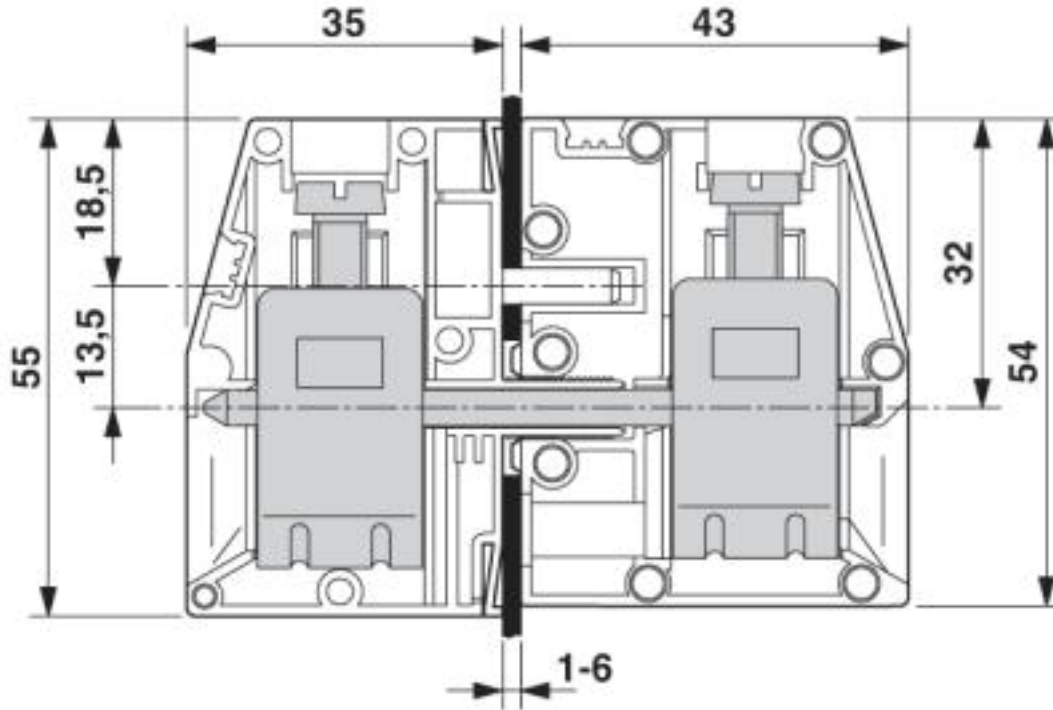
Drawings

Dimensional drawing



Panel feed-through terminal block - HDFK 50/Z - 0705017

Dimensional drawing



Classifications

eCl@ss

| | |
|------------|----------|
| eCl@ss 4.0 | 27141100 |
| eCl@ss 4.1 | 27141100 |
| eCl@ss 5.0 | 27141100 |
| eCl@ss 5.1 | 27141100 |
| eCl@ss 6.0 | 27141100 |
| eCl@ss 7.0 | 27141134 |
| eCl@ss 8.0 | 27141134 |
| eCl@ss 9.0 | 27141134 |

ETIM

| | |
|----------|----------|
| ETIM 2.0 | EC001283 |
| ETIM 3.0 | EC001283 |
| ETIM 4.0 | EC001283 |
| ETIM 5.0 | EC001283 |
| ETIM 6.0 | EC001283 |
| ETIM 7.0 | EC001283 |

Panel feed-through terminal block - HDFK 50/Z - 0705017

Classifications

UNSPSC

| | |
|---------------|----------|
| UNSPSC 6.01 | 30211811 |
| UNSPSC 7.0901 | 39121410 |
| UNSPSC 11 | 39121410 |
| UNSPSC 12.01 | 39121410 |
| UNSPSC 13.2 | 39121410 |

Approvals


Approvals


Approvals


CSA / UL Recognized / EAC

Ex Approvals

Approval details

| | | | |
|----------------------------|---|---|-------|
| CSA |  | http://www.csagroup.org/services-industries/product-listing/ | 13631 |
| | B | C | |
| Nominal voltage UN | 600 V | 600 V | |
| Nominal current IN | 125 A | 125 A | |
| mm ² /AWG/kcmil | 6 | 6 | |

| | | | |
|----------------------------|---|---|-----------------|
| UL Recognized |  | http://database.ul.com/cgi-bin/XYV/template/LISEXT/1FRAME/index.htm | E60425-19890329 |
| | B | C | |
| Nominal voltage UN | 600 V | 600 V | |
| Nominal current IN | 170 A | 170 A | |
| mm ² /AWG/kcmil | 6 | 6 | |

| | | |
|-----|---|---------|
| EAC |  | B.01742 |
|-----|---|---------|

Panel feed-through terminal block - HDFK 50/Z - 0705017

Accessories

Accessories

Labeled terminal marker

Marker for terminal blocks - UC-TM 16 CUS - 0824621



Marker for terminal blocks, can be ordered: by sheet, white, labeled according to customer specifications, mounting type: snap into tall marker groove, for terminal block width: 16 mm, lettering field size: 15.45 x 10.5 mm, Number of individual labels: 32

Zack Marker strip, flat - ZBF 16 CUS - 0827465



Zack Marker strip, flat, can be ordered: Strip, white, labeled according to customer specifications, mounting type: snap into flat marker groove, for terminal block width: 16 mm, lettering field size: 5.15 x 16 mm, Number of individual labels: 5

Mounting material

Insertion profile - UKH 50 EP - 3009228



Insertion profile, color: silver

Partition plate

Spacer plate - DP-HDFK 50/7,2 - 0709990



Spacer plate

Screwdriver tools

Panel feed-through terminal block - HDFK 50/Z - 0705017

Accessories

Screwdriver - SZS 1,2X8,0 VDE - 1205082



Screwdriver, slot-headed, VDE insulated, size: 1.2 x 8.0 x 175 mm, 2-component grip, with non-slip grip

Terminal marking

Marker for terminal blocks - UC-TM 16 - 0819217



Marker for terminal blocks, Sheet, white, unlabeled, can be labeled with: BLUEMARK ID COLOR, BLUEMARK ID, BLUEMARK CLED, PLOTMARK, CMS-P1-PLOTTER, mounting type: snap into tall marker groove, for terminal block width: 16 mm, lettering field size: 15.45 x 10.5 mm, Number of individual labels: 32

Zack marker strip - ZB 16:UNPRINTED - 0827461



Zack marker strip, Strip, white, unlabeled, can be labeled with: PLOTMARK, CMS-P1-PLOTTER, mounting type: snap into tall marker groove, for terminal block width: 16 mm, lettering field size: 16 x 10.5 mm, Number of individual labels: 50

Zack marker strip - ZB 12:UNPRINTED - 0812120



Zack marker strip, Strip, white, unlabeled, can be labeled with: PLOTMARK, CMS-P1-PLOTTER, mounting type: snap into tall marker groove, for terminal block width: 12.2 mm, lettering field size: 12 x 10.5 mm, Number of individual labels: 5